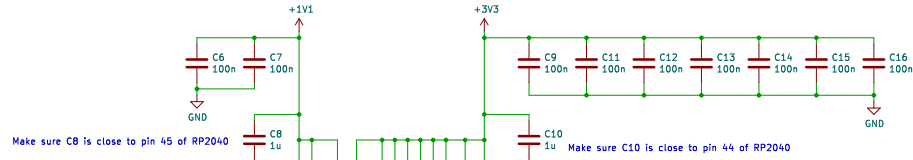
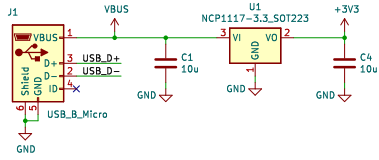


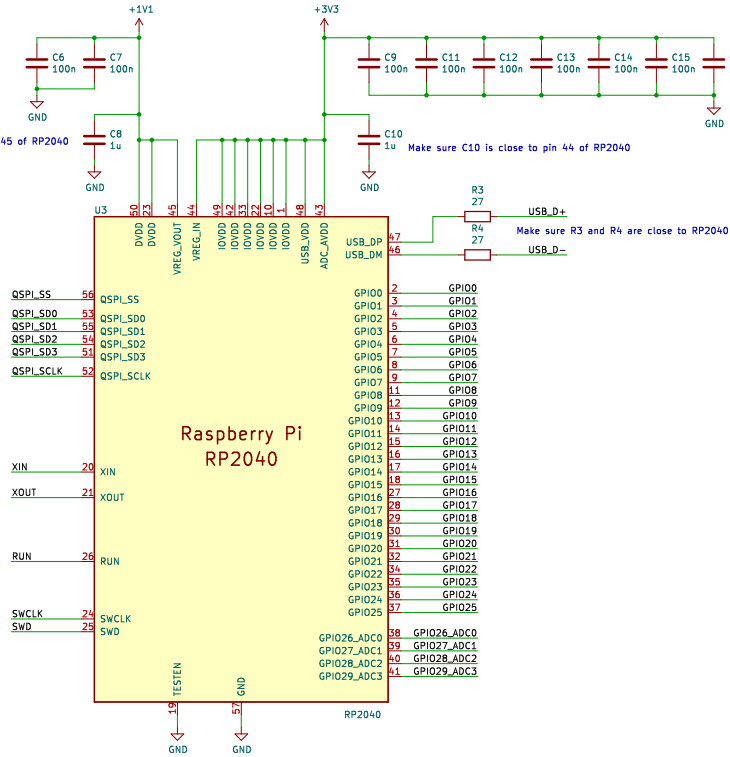
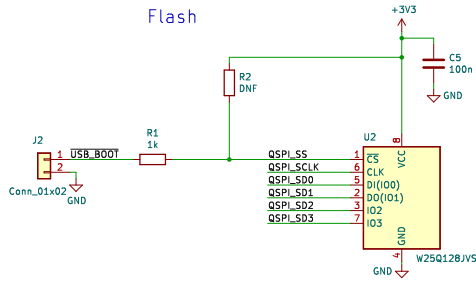
Power



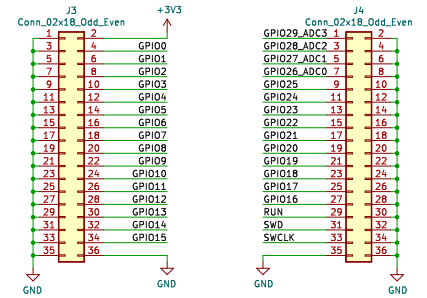
Make sure C8 is close to pin 45 of RP2040

Make sure C10 is close to pin 44 of RP2040

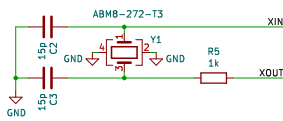
Flash



I/Os



Crystal



- #1 MountingHole
- #2 MountingHole
- #3 MountingHole
- #4 MountingHole

Raspberry Pi Ltd		
Sheet: /		
File: RP2040_minimal_2.kicad_sch		
<b>Title: RP2040 Minimal Design Example</b>		
Size: A3	Date: 2024-01-16	Rev: REV2
KiCad E.D.A.	kicad 7.0.7	Id: 1/1